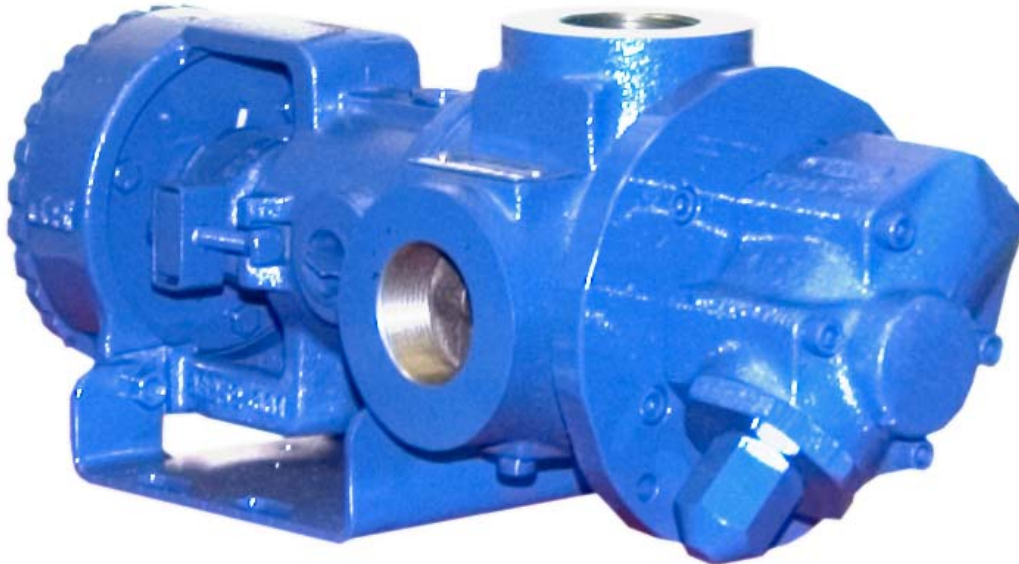


**GHS SERIES
 FLEXIBLE SEAL
 HEAVY DUTY STANDARD
 STAINLESS STEEL ROTARY
 GEAR PUMP**

This heavy duty series with internal “wetted” parts of 316 Stainless Steel is ideal for handling corrosive applications. Superior rotor shaft support and an integral maintenance-free radial/thrust bearing, reduce deflection and wear. Due to the “galling” nature of stainless, extra internal clearance is necessary. A capacity correction table for liquids less than 750 SSU is available in Section 500.



SHOWN ^W/INTERCHANGE FOOT BRACKET

The GHS stainless series is designed for applications in the operating ranges noted below. These units are available with head and backhead jackets for temperature control, silicon carbide bushings for wear resistance, and numerous shaft seal options described on the following pages.

FEATURES

- 200 PSI CAPABILITY
- BALL BEARING THRUST CONTROL
- ROTOR END CLEARANCE EXTERNALLY ADJUSTABLE
- EXCEPTIONAL SEAL VERSATILITY WITH INTERNAL SEAL VENT
- COMPUTER PROFILED GEARING FOR QUIET OPERATION
- MULTIPLE PORT POSITIONS
- FLEXIBLE SEAL DESIGN ALLOWS FOR A VARIETY OF INDUSTRY STANDARD SEALS OR PACKING

OPERATING RANGE

- CAPACITY (GPM): (3 TO 295)
 [LPM] : [11 TO 1116]
- PRESSURE (PSI) : [0 TO 200]
 [BAR] : [0 TO 14]
- VISCOSITY (SSU) : (28 TO 2,000,000)
 [cSt] : [1 TO 440,000]
- TEMPERATURE (F) : (-30° TO 675°)
 [C] : [-34° TO 358°]

APPLICATIONS

- USE WITH ANY CLEAN LIQUID COMPATIBLE WITH 316 STAINLESS STEEL
- ★ BOOSTER SERVICE
 - ★ CIRCULATING
 - ★ FILTERING
 - ★ LUBRICATING
 - ★ TRANSFERRING

EXTERIOR	BACKH.D.	ROTOR & IDLER	HOUSING PORTS	BUSHING	IDLER PIN	SHAFT	SHAFT SEALING		ROTA-TION	INTERNAL RELIEF VALVE	
							MECH. SEAL	PACKING		MATERIAL	SETTING
316 STAIN. STEEL	CAST IRON	316 STAIN. STEEL	GHC 180° FLG. GHS 90° NPT	CARBON GRAPHITE	COATED 316 SST	STAIN. STEEL	CARBON, SIC, TEFLON ENC.	CARBON FIBER	C.W.	316 STAINLESS STEEL	75 PSI [5 BAR]

G H C 1 DC 9 - B
G H S 1 DC 9 - B
 | | | | | | | | | | | |
 GEAR DUTY DESIGN PORT SIZE HYD. SIZE SEAL STYLE

Standard Models

MODEL NUMBER		NOM. CAPACITY - SPEED				MAXIMUM				SHIPPING DATA	
		MAXIMUM		ALTERNATIVE		DIFF. PRESSURE - PSI [BAR]			TEMP.	Wt.	Vol.
		GPM [LPM]	RPM 60 Hz [50 HZ]	GPM [LPM]	RPM 60 Hz [50 HZ]	BELOW 38 SSU [4 cSt]	38 TO 100 SSU [21 cSt]	100 TO 250,000 SSU [55,000 cSt]	°F [°C]		
GHC 1 DC9-B ① ● ▸	GHS 1 DC9-B ① ● ● GHS 1 DC10-B ① ■ ■	9 [28]		6 [19]						32 [14,5]	2.9
GHC 1 DE9-B ① ● ● ▸	GHS 1 DE9-B ① ● ● ● GHS 1 DE10-B ① ■ ■ ■	11 [35]		7 [22]						32 [14,5]	2.9
GHC 1-1/2 GC9-B ● ● ▸	GHS 1-1/2 GC9-B ● ● ● GHS 1-1/2 GC10-B ■ ■ ■	16 [50]		10 [32]						63 [28,6]	2.9
	GHS 2 GC9-B ● ● ● GHS 2 GC10-B ■ ■ ■									63 [28,6]	2.9
GHC 1-1/2 GF9-B ● ● ▸	GHS 1-1/2 GF9-B ● ● ● ● GHS 1-1/2 GF10-B ■ ■ ■ ■	23 [73]	1750 [1460]	15 [47]	1150 [960]					GHC ● 350 [177]	2.9
	GHS 2 GF9-B ● ● ● ● GHS 2 GF10-B ■ ■ ■ ■									63 [28,6]	2.9
GHC 1-1/2 GH9-B ● ● ▸	GHS 1-1/2 GH9-B ● ● ● ● GHS 1-1/2 GH10-B ■ ■ ■ ■	31 [98]		20 [63]		75 [5]	100 [7]	200 [14]		GHS ● 400 [204]	2.9
	GHS 2 GH9-B ● ● ● ● GHS 2 GH10-B ■ ■ ■ ■									63 [28,6]	2.9
GHC 1-1/2 GJ9-B ● ● ▸	GHS 1-1/2 GJ9-B ● ● ● ● GHS 1-1/2 GJ10-B ■ ■ ■ ■	38 [120]		25 [79]						500 [260]	2.9
	GHS 2 GJ9-B ● ● ● ● GHS 2 GJ10-B ■ ■ ■ ■									63 [28,6]	2.9
	GHS 2 JG9-B ● ● ● ● GHS 2 JG10-B ■ ■ ■ ■	40 [126]	1150 [960]	30 [95]	870 [725]					161 [73,2]	5.3
GHC 3 JG9-B ● ● ▸	GHS 3 JG9-B ● ● ● ● GHS 3 JG10-B ■ ■ ■ ■									161 [73,2]	5.3
	GHS 2 JJ9-B ● ● ● ● GHS 2 JJ10-B ■ ■ ■ ■	56 [177]		42 [133]						161 [73,2]	5.3
GHC 3 JJ9-B ● ● ▸	GHS 3 JJ9-B ● ● ● ● GHS 3 JJ10-B ■ ■ ■ ■									161 [73,2]	5.3

STANDARD MODELS CONTINUED

① 3450 [2875] RPM PERMISSIBLE TO 1,000 SSU [220 cSt.] AND 100 PSI [7 BAR]

● MECHANICAL SEAL
■ PACKING/LIP SEAL

▸ PORTS ARE COMPATIBLE WITH 150# ANSI FLANGES. ALL OTHER PORTS ARE TAPPED NPT FOR ANSI PIPE. OPTIONAL [DIN] FLANGES OR TAPPED [BSP] PORTS ARE AVAILABLE FOR EXPORT MARKET.

NOTE: RECOMMENDED PORT SIZES ARE SHOWN IN **BOLDFACE**. EXAMPLE: **GHC 1 DC9-B**, **GHS 1 DC9-B**

THE GORMAN-RUPP COMPANY • MANSFIELD, OHIO

GORMAN-RUPP OF CANADA LIMITED • ST. THOMAS, ONTARIO, CANADA

Standard Models (Continued)

MODEL NUMBER		NOM. CAPACITY - SPEED				MAXIMUM				SHIPPING DATA	
		MAXIMUM		ALTERNATIVE		DIFF. PRESSURE - PSI [BAR]			TEMP.	Wt.	Vol.
		GPM [LPM]	RPM 60 Hz [50 HZ]	GPM [LPM]	RPM 60 Hz [50 HZ]	BELOW 38 SSU [4 cSt]	38 TO 100 SSU [21 cSt]	100 TO 250,000 SSU [55,000 cSt]	°F [°C]	LBS [KG]	CU. FT.
GHC	GHS										
	GHS 2 JL9-B ● GHS 2 JL10-B ■	77 [243]	1150 [960]	58 [133]	870 [725]	75 [5]	100 [7]	200 [14]	161 [73,2]	5.3	
GHC 3 JL9-B ● †	GHS 3 JL9-B ● GHS 3 JL10-B ■										
	GHS 2 JP9-B ● GHS 2 JP10-B ■	107 [338]	960 [960]	81 [256]	580 [480]	75 [5]	100 [7]	200 [14]	161 [73,2]	5.3	
GHC 3 JP9-B ● †	GHS 3 JP9-B ● GHS 3 JP10-B ■										
	GHS 2 NK9-B ● GHS 2 NK10-B ■	99 [375]	960 [960]	60 [189]	580 [480]	75 [5]	100 [7]	200 [14]	GHC ● 400 [204]	180 [81,8]	5.3
	GHS 2-1/2 NK9-B ● GHS 2-1/2 NK10-B ■								GHS ● 400 [204]	180 [81,8]	5.3
	GHS 3 NK9-B ● GHS 3 NK10-B ■	132 [500]	960 [960]	80 [252]	580 [480]	75 [5]	100 [7]	200 [14]	500 [260]	180 [81,8]	5.3
	GHS 2 NM9-B ● GHS 2 NM10-B ■								180 [81,8]	5.3	
	GHS 2-1/2 NM9-B ● GHS 2-1/2 NM10-B ■	165 [624]	960 [960]	99 [312]	580 [480]	75 [5]	100 [7]	200 [14]	180 [81,8]	5.3	
	GHS 3 NM9-B ● GHS 3 NM10-B ■								180 [81,8]	5.3	
	GHS 2-1/2 NP9-B ● GHS 2-1/2 NP10-B ■	172 [542]	960 [960]	115 [362]	580 [480]	75 [5]	100 [7]	200 [14]	180 [81,8]	5.3	
	GHS 3 NP9-B ● GHS 3 NP10-B ■								180 [81,8]	5.3	
	GHS 2 RM9-B ● GHS 2 RM10-B ■	215 [678]	720 [600]	143 [451]	480 [400]	75 [5]	100 [7]	200 [14]	357 [162]	10.7	
	GHS 2-1/2 RM9-B ● † GHS 2-1/2 RM10-B ■ †								357 [162]	10.7	
	GHS 3 RM9-B ● † GHS 3 RM10-B ■ †	215 [678]	720 [600]	143 [451]	480 [400]	75 [5]	100 [7]	200 [14]	357 [162]	10.7	
	GHS 4 RM9-B ● † GHS 4 RM10-B ■ †								357 [162]	10.7	
	GHS 3 RP9-B ● † GHS 3 RP10-B ■ †	215 [678]	720 [600]	143 [451]	480 [400]	75 [5]	100 [7]	200 [14]	357 [162]	10.7	
	GHS 4 RP9-B ● † GHS 4 RP10-B ■ †								357 [162]	10.7	

STANDARD MODELS CONTINUED

● MECHANICAL SEAL
■ PACKING/LIP SEAL

† PORTS ARE COMPATIBLE WITH 150# ANSI FLANGES. ALL OTHER PORTS ARE TAPPED NPT FOR ANSI PIPE. OPTIONAL [DIN] FLANGES OR TAPPED [BSP] PORTS ARE AVAILABLE FOR EXPORT MARKET.

NOTE: RECOMMENDED PORT SIZES ARE SHOWN IN **BOLDFACE**. EXAMPLE: **GHC 1 DC9-B, GHS 1 DC9-B**

THE GORMAN-RUPP COMPANY • MANSFIELD, OHIO
GORMAN-RUPP OF CANADA LIMITED • ST. THOMAS, ONTARIO, CANADA

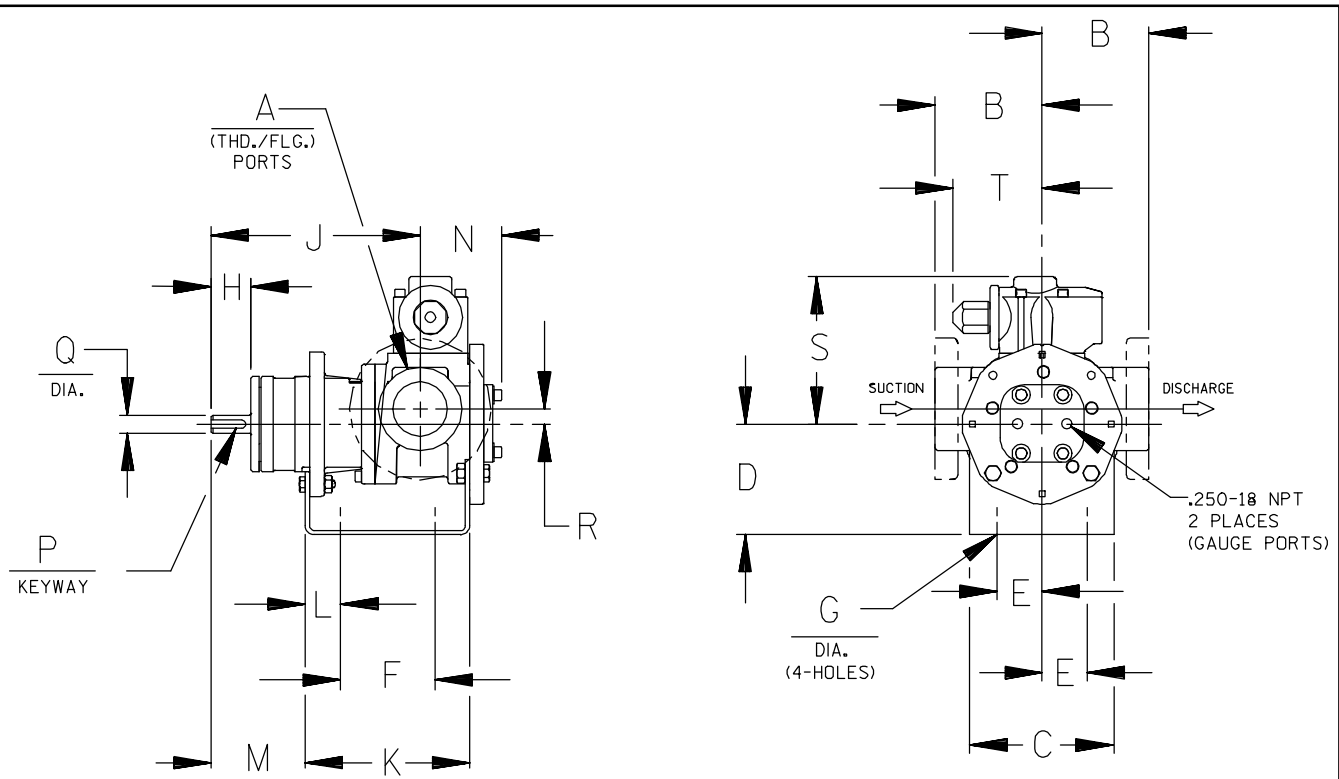
MODEL NUMBER		NOM. CAPACITY - SPEED				MAXIMUM				SHIPPING DATA	
		MAXIMUM		ALTERNATIVE		DIFF. PRESSURE - PSI [BAR]			TEMP.	Wt.	Vol.
		GPM [LPM]	RPM 60 Hz [50 HZ]	GPM [LPM]	RPM 60 Hz [50 HZ]	BELOW 38 SSU [4 cSt]	38 TO 100 SSU [21 cSt]	100 TO 250,000 SSU [55,000 cSt]	°F [°C]	LBS [KG]	CU. FT.
GHC	GHS										
	GHS 3 RR9-B ● ▸ GHS 3 RR10-B ■ ▸	255 [804]	720 [600]	170 [536]	480 [400]	75 [5]	100 [7]	200 [14]	GHS ● 400 [204] ■ 500 [260]	357 [162]	10.7
	GHS 4 RR9-B ● ▸ GHS 4 RR10-B ■ ▸			196 [618]						357 [162]	
	GHS 4 RS9-B ● ▸ GHS 4 RS10-B ■ ▸			295 [930]						357 [162]	

▸ PORTS ARE COMPATIBLE WITH 150# ANSI STAINLESS STEEL FLANGES. ALL OTHER PORTS ARE TAPPED NPT FOR ANSI PIPE. OPTIONAL [DIN] FLANGES OR TAPPED [BSP] PORTS AVAILABLE FOR EXPORT MARKET.

NOTE: RECOMMENDED PORT SIZES ARE SHOWN IN BOLDFACE. EXAMPLE: **GHC 1 DC9-B**, **GHS 1 DC9-B**

APPLICATION RECOMMENDATIONS:		
APPLICATION	OPTIONS REQUIRED (Select One From Each Row)	OPERATING LIMITATIONS
GHS ONLY HIGH TEMPERATURE	25U, 25V, OR 25W 35J – 35M (AS REQ'D) 40R, 70K 61H OR 65Q	TEMPERATURE: 675 °F MAX. PRESSURE: 200 PSI MAX.
GHS ONLY JACKETED	40K, 40W, 41U, 41W	LIMIT JACKET PRESSURE TO 150 PSI

NOTE: PROPER PUMP APPLICATION REQUIRES CONSIDERATION OF ADDITIONAL FACTORS. PLEASE REVIEW APPLICATION GUIDE IN SECTION 500 OR CONSULT THE FACTORY.



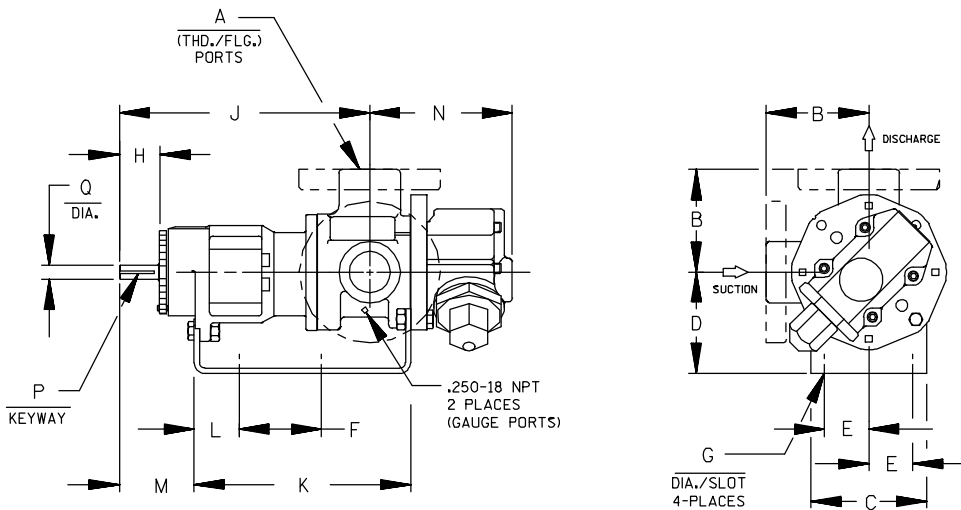
CAD FILE NO.: 16458B

MODEL NUMBERS	PUMP DIMENSIONS - INCHES [MILLIMETERS]																	
	A	B	C	D	E	F	G	H	J	K	L	M	N	P	Q	R	S	T
GHC D	1"	2.50 [64] †	4.00 [102]	3.50* [89]	1.62 [41]	3.12 [79]	.41 [10]	1.16 [30]	6.19 [157]	5.04 [128]	.76 [19]	2.62 [66]	2.74 [70]	.12 [3]	.50 [13]	.62 [16]	5.19 [132]	3.58 [91]
		4.00* [102] †		5.25 [133]										.75 [19]				
GHC G	1-1/2"	3.50 [89] †	5.88 [149]	3.50* [89]	1.62 [41]	4.00 [102]	.41 [10]	1.62 [41]	8.50 [216]	6.71 [170]	1.06 [27]	3.82 [97]	3.35 [85]	.19 [5]	.75 [19]	.62 [16]	6.00 [152]	3.62 [92]
		4.00* [102] †		4.50 [114]										5.25 [133]				
GHC J	3"	4.50 [114] †	6.88 [175]	4.50 [114]	2.88 [73]	4.25 [108]	.44 [11]	2.50 [64]	12.12 [308]	9.75 [248]	1.75 [44]	5.50 [140]	4.66 [118]	.25 [6]	1.00 [25]	1.12 [28]	9.06 [230]	6.75 [171]
		6.00* [152] †		5.25* [133]										6.25 [159]				

* STANDARD DIMENSION

† PORTS ARE COMPATIBLE WITH 125* OR 250* ANSI CAST IRON FLANGES. ALL OTHER PORTS ARE TAPPED NPT FOR ANSI PIPE. OPTIONAL (DIN) FLANGES OR TAPPED (BSP) PORTS AVAILABLE FOR EXPORT MARKET.

† 90° HOUSING



CAD FILE NO.: 16669G

MODEL NUMBERS	PUMP DIMENSIONS - INCHES [MILLIMETERS]														
	A	B	C	D	E	F	G	H	J	K	L	M	N	P	Q
GHS D	1"	2.50* [64]	4.00 [102]	3.50* [89]	1.62 [41]	5.50 [140]	.41 [10]	1.16 [30]	8.43 [214]	7.54 [192]	1.09 [28]	2.29 [58]	4.98 [127]	.12 [3] x .75 [19]	.50 [13]
		4.00 † [102]		5.25 [133]											
GHS G	1-1/2" 2"	3.50* [89]	4.88 [124]	3.50* [89]	1.62 [41]	8.00 [203]	.41 [10]	1.62 [41]	12.06 [306]	10.72 [272]	1.52 [39]	3.35 [85]	5.70 [145]	.19 [5] x 1.25 [32]	.75 [19]
		4.00 † [102]		5.25 [133] 6.25 [159]											
GHS J	2" 3"	4.50* [114]	6.88 [175]	5.25* [133]	2.88 [73]	10.00 [254]	.44 [11]	2.50 [64]	15.68 [398]	14.31 [363]	2.77 [70]	4.48 [114]	8.50 [216]	.25 [6] x 2.00 [51]	1.00 [25]
		6.00 † [152]		6.25 [159] 7.00 [178] 8.00 [203]											
GHS N	2" 3"	5.12 [130]	8.00 [203]	4.50 [114]	2.88 [73]	10.00 [254]	.44 [11]	2.58 [66]	16.37 [416] *	15.14 [385]	2.69 [68]	4.56 [116]	8.72 [221] *	.25 [6] x 2.00 [51]	1.12 [32]
				5.25* [133]											
GHS R	2"	6.50 [165]	10.50 [267]	7.00 [178]	3.75 [95]	13.75 [349]	.52 [13]	2.25 [57]	17.87 [454]	17.36 [441]	1.86 [47]	4.70 [119]	11.31 [287]	.38 [10] x 1.88 [48]	1.44 [37]
	2-1/2"														
	3"														
	4"	7.19 † [183]													

* STANDARD DIMENSION

† PORTS ARE COMPATIBLE WITH 150# OR 300# ANSISTAINLESS STEEL FLANGES. ALL OTHER PORTS ARE TAPPED NPT FOR ANSI PIPE. OPTIONAL (DIN) FLANGES OR TAPPED (BSP) PORTS AVAILABLE FOR EXPORT MARKET.

‡ 180° HOUSING

GHC/GHS

FOR GHC DRIVE OPTIONS

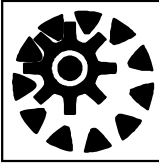
AND DIMENSIONS

SEE SECTION 540

FOR GHS DRIVE OPTIONS

AND DIMENSIONS

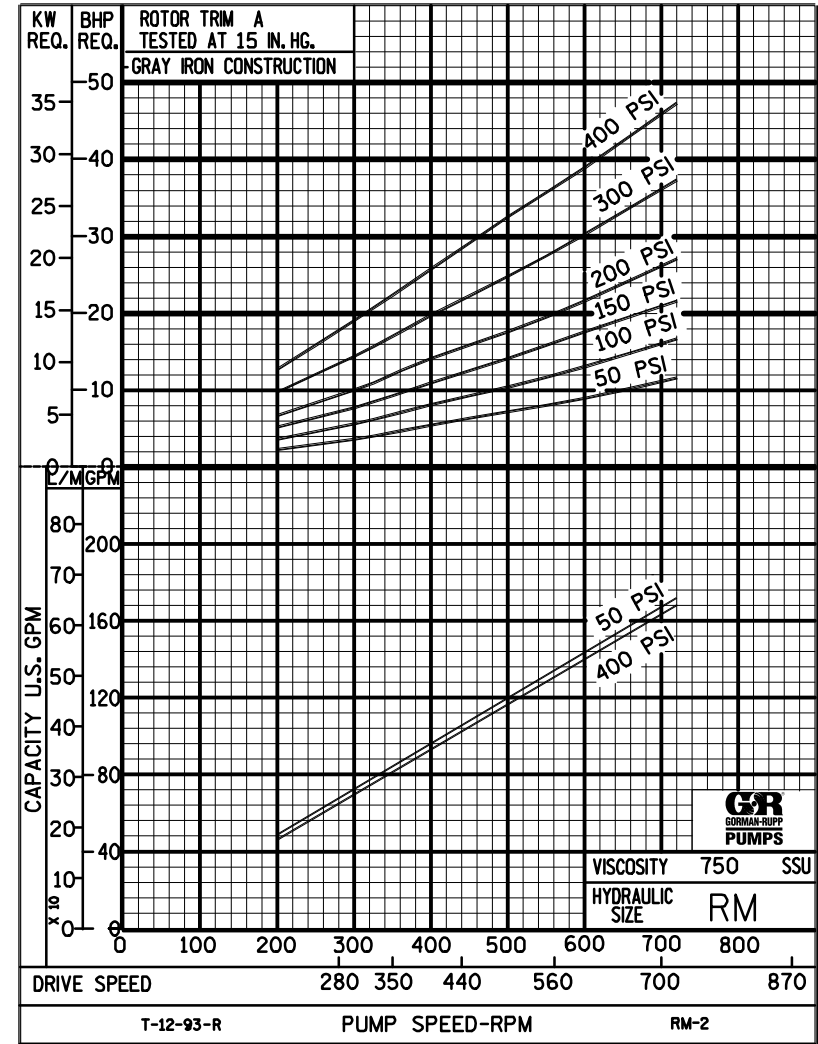
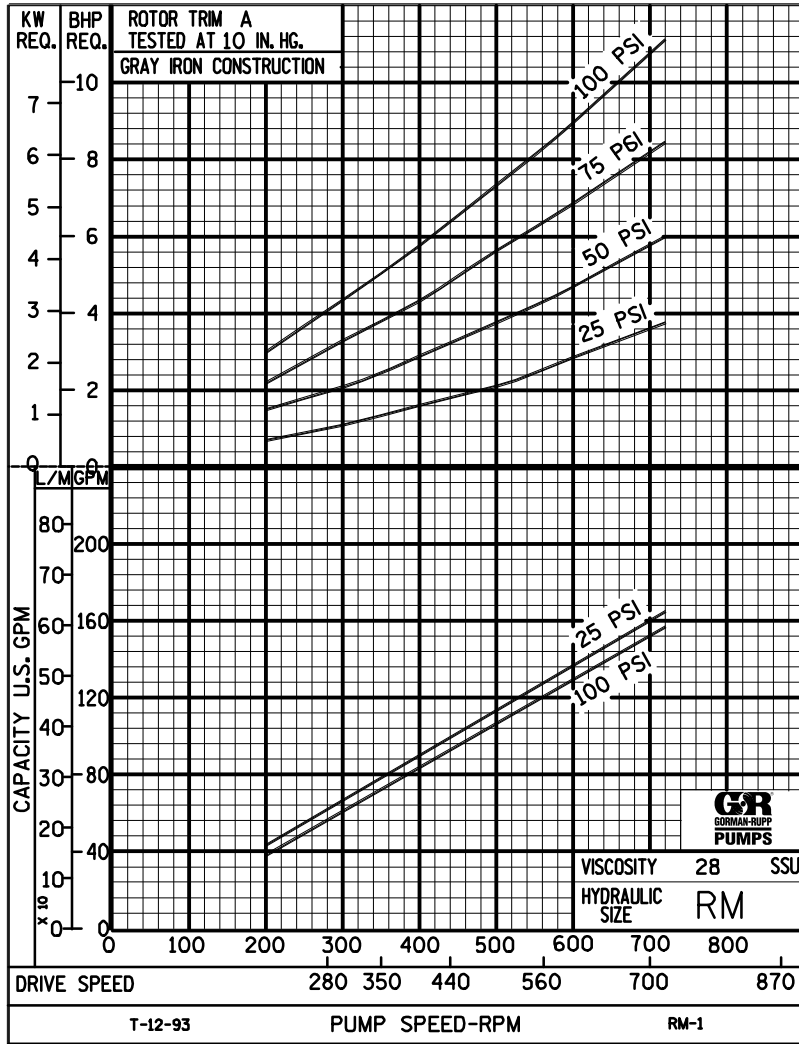
SEE SECTION 545



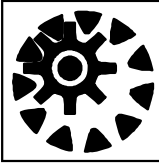
PERFORMANCE CURVES

SPEED VS. CAPACITY/HORSEPOWER

RM Hydraulic Size



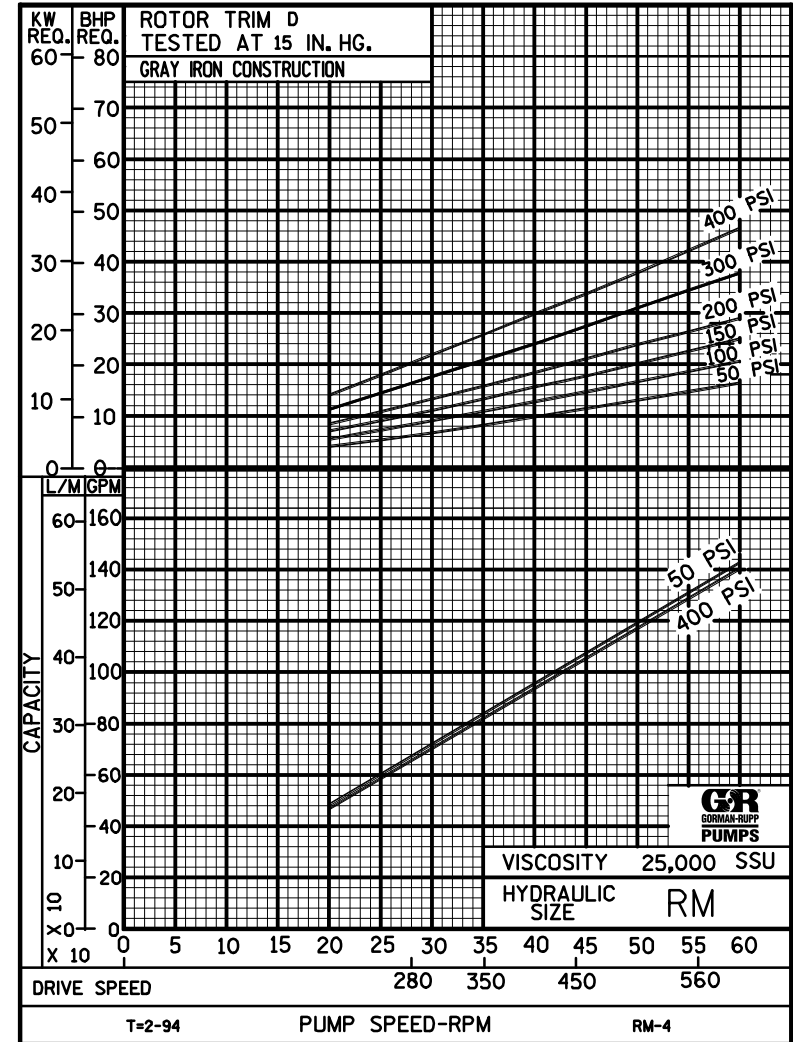
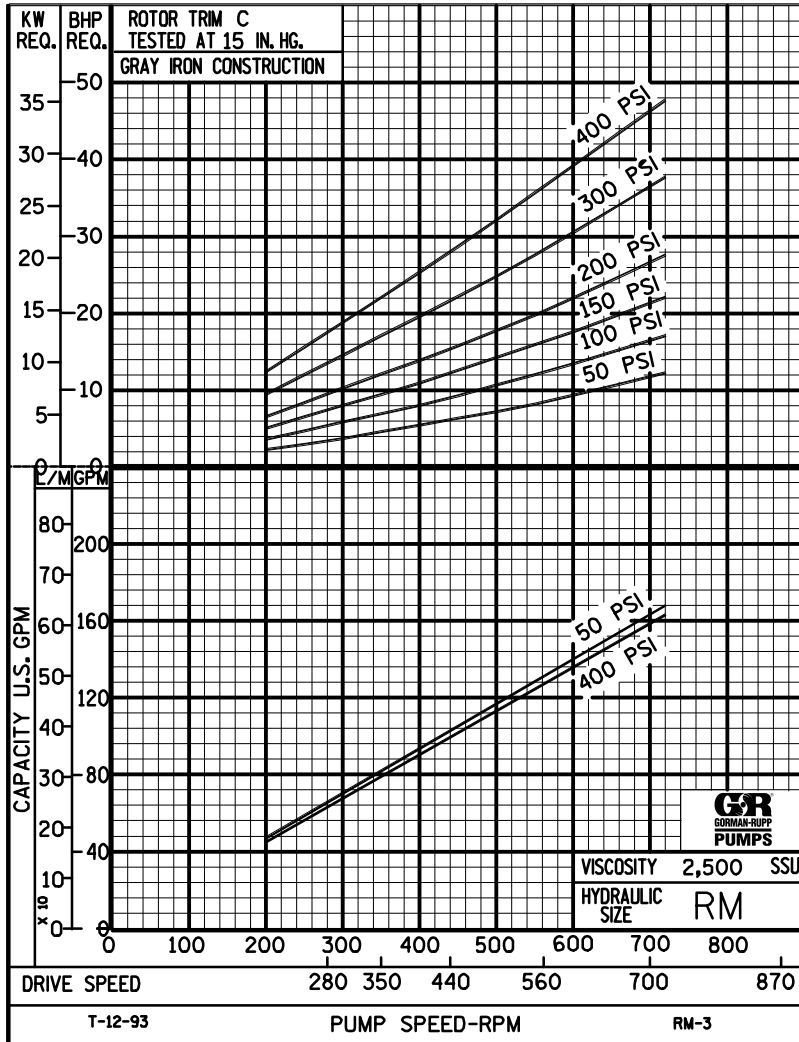
THE GORMAN-RUPP COMPANY • MANSFIELD, OHIO
 GORMAN-RUPP OF CANADA LIMITED • ST. THOMAS, ONTARIO, CANADA



PERFORMANCE CURVES

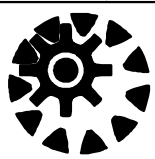
SPEED VS. CAPACITY/HORSEPOWER

RM Hydraulic Size



THE GORMAN-RUPP COMPANY • MANSFIELD, OHIO
 GORMAN-RUPP OF CANADA LIMITED • ST. THOMAS, ONTARIO, CANADA

Printed in U.S.A.



RM

PUMP HYDRAULIC SIZE CHART

SEC. 500

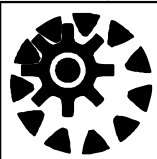
Page 107

January 2010

153 GPM
640 RPM

NOMINAL		ROTOR TRIM	VISCOSITY (SSU)	N.I.P.R. (PSIA)	FRICTION PIPE LOSS (PSI/FT) (Based on Sch 40 Steel Pipe)					FULL BYPASS RELIEF VALVE PRESSURE (PSI)					CAPACITY (GPM) / H.P. REQUIRED								
CAP. GPM	SPEED RPM				PIPE DIAMETER					CRACKING PRESS. (PSI)					DIFFERENTIAL PRESSURE (PSI)								
					2"	2 1/2"	3"	4"	6"	LOW PRES R/V			HI PRES R/V		MEDIUM DUTY AND HEAVY DUTY				HEAVY DUTY ONLY				
							50	75	100	150	200	25	50	75	100	150	200	300	400				
153	640	STD	28	2.5	.16	.07	.02	.01	-	57	84	120	178		145	142	139	137					
			32		.17	.07	.02	.01	-						3.3	6.1	7.9	10					
			38	2.5	.19	.08	.03	.01	-	60	86	122	180		146	144	141	140	137				
			50		.20	.09	.03	.01	-						4.5	6.8	9.1	11	16				
			70	2.5	.23	.10	.03	.01	-	63	89	124	183	242		148	146	144	143	141	139		
			100		.25	.11	.04	.01	-							5.9	8.1	10	12	17	23		
			150	2.5	.28	.12	.04	.01	-	66	93	127	186	246		150	149	148	147	145	144	142	139
			200		.31	.13	.05	.01	-							6.7	9.2	11	13	18	23	32	41
			300	2.5	.35	.15	.05	.01	-	72	98	131	190	251		152	151	150	150	149	148	146	145
			500		.41	.12	.05	.02	-							7.8	10	12	14	19	24	33	42
		750	2.6	.36	.18	.07	.03	-	75	101	134	193	254		153	152	152	152	151	150	150	149	
		1,000		.48	.24	.10	.03	.01							7.9	10	12	14	19	24	33	42	
		2,000	2.7	.97	.47	.20	.07	.01	82	110	139	199	260		151	150	150	149	149	148	147	146	
		3,500		1.69	.83	.35	.12	.02							8.8	11	13	15	20	24	33	43	
		5,000	2.9	2.42	1.19	.50	.17	.03	86	112	142	202	264		151	150	150	150	149	148	147	146	
		7,500		3.63	1.78	.75	.25	.05							10	13	15	16	21	26	35	45	
		10,000	3.2	4.83	2.37	1.00	.34	.07	89	115	145	205	268		151	151	150	150	150	149	148	147	
		15,000		7.25	3.56	1.49	.50	.10							12	14	16	18	23	28	36	47	
		20,000	3.5	9.67	4.75	1.99	.67	.13	92	118	147	207	270		152	151	151	150	150	150	149	148	
		25,000		12.1	5.94	2.49	.84	.16							14	16	18	20	25	30	39	50	
50,000	"D"																						
75,000																							
100,000	"D"																						
150,000																							
200,000	"D"																						
250,000																							

(NOTE) For speeds not shown on the pump hydraulic charts, consult factory.



RM

PUMP HYDRAULIC SIZE CHART

SEC. 500

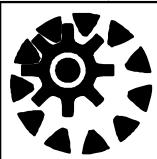
Page 108

January 2010

125 GPM
520 RPM

NOMINAL		ROTOR TRIM	VISCOSITY (SSU)	N.I.P.R. (PSIA)	FRICTION PIPE LOSS (PSI/FT) (Based on Sch 40 Steel Pipe)					FULL BYPASS RELIEF VALVE PRESSURE (PSI)					CAPACITY (GPM) / H.P. REQUIRED								
CAP. GPM	SPEED RPM				PIPE DIAMETER					CRACKING PRESS. (PSI)					DIFFERENTIAL PRESSURE (PSI)								
					2"	2 1/2"	3"	4"	6"	LOW PRES R/V		HI PRES R/V			MEDIUM DUTY AND HEAVY DUTY				HEAVY DUTY ONLY				
125	520	STD	28	1.9	.11	.05	.02	-	-	55	83	119	176	116	113	112	109						
			32		.12	.05	.02	-	-					2.3	4.1	7.1	9.8						
			38	1.9	.13	.05	.02	.01	-	57	85	121	177	118	115	113	111	108					
			50		.15	.06	.02	.01	-					3.5	5.1	7.9	10	14					
			70	1.9	.16	.07	.02	.01	-	60	88	123	180	236	120	118	117	115	113	110			
			100		.18	.08	.03	.01	-					4.5	6.1	8.9	11	15	18				
			150	1.9	.21	.09	.03	.01	-	64	91	125	182	239	122	121	120	119	117	115	113	111	
			200		.22	.10	.03	.01	-					5.2	6.8	9.3	11	15	18	26	34		
			300	1.9	.25	.11	.02	.01	-	68	95	128	185	242	124	123	122	121	120	119	118	117	
			500		.20	.10	.04	.01	-					5.6	7.4	9.4	11	15	18	26	34		
		750	2.0	.30	.15	.06	.02	-	72	98	130	187	244	125	124	124	123	123	122	122	121		
		1,000		.40	.20	.08	.03	.01					5.9	7.6	9.6	11	15	18	26	34			
		2,000	2.3	.81	.40	.17	.06	.01	78	104	134	191	249	123	122	122	121	120	120	118	118		
		3,500		1.41	.69	.29	.10	.02					6.7	8.4	11	12	16	19	26	34			
		5,000	2.6	2.01	.99	.42	.14	.03	81	107	136	194	252	123	123	122	122	121	121	119	119		
		7,500		3.02	1.48	.62	.21	.04					8.4	10	12	14	17	21	28	35			
		10,000	2.9	4.03	1.98	.83	.28	.05	85	110	139	196	254	124	123	123	122	122	122	120	120		
		15,000		6.04	2.97	1.25	.42	.08					10	12	14	16	19	23	30	37			
		20,000	3.2	8.06	3.96	1.66	.56	.11	87	112	140	197	256	124	124	123	123	123	123	122	121		
		25,000		10.1	4.95	2.08	.70	.14					12	13	16	17	21	25	32	39			
50,000	4.6	20.1	9.90	4.15	1.40	.27	93	117	143	202	260	124	124	123	123	123	123	122	121				
75,000		30.2	14.8	6.23	2.10	.41					16	18	20	22	26	30	38	45					
100,000																							
150,000																							
200,000																							
250,000																							

(NOTE) For speeds not shown on the pump hydraulic charts, consult factory.



RM

PUMP HYDRAULIC SIZE CHART

SEC. 500

Page 109

January 2010

**85 GPM
350 RPM**

NOMINAL		ROTOR TRIM	VISCOSITY (SSU)	N.I.P.R. (PSIA)	FRICTION PIPE LOSS (PSI/FT) <small>(Based on Sch 40 Steel Pipe)</small>					FULL BYPASS RELIEF VALVE PRESSURE (PSI)					CAPACITY (GPM) / H.P. REQUIRED									
CAP. GPM	SPEED RPM				PIPE DIAMETER					CRACKING PRESS. (PSI)					DIFFERENTIAL PRESSURE (PSI)									
					2"	2 1/2"	3"	4"	6"	LOW PRES R/V		HI PRES R/V			MEDIUM DUTY AND HEAVY DUTY				HEAVY DUTY ONLY					
85	350	STD	28	1.3	.05	.02	.01	-	-	54	81	117	171		78	74	72	70						
			32		.06	.02	.01	-	-							1.3	3.1	4.1	5.2					
			38	1.3	.06	.03	.01	-	-	55	82	118	172		79	75	74	72	70					
			50		.07	.03	.01	-	-							2.1	3.1	4.8	6.1	7.9				
			70	1.3	.08	.04	.01	-	-	58	85	119	173	227		80	78	77	76	74	73			
			100		.09	.04	.01	-	-							2.8	3.8	5.3	6.6	8.6	11			
			150	1.3	.11	.05	.02	-	-							82	80	79	79	78	78	77	76	
			200		.12	.05	.02	-	-	61	87	121	174	228		3.3	4.1	5.8	6.9	9.1	12	17	22	
			300	1.3	.13	.04	.02	.01	-							83	82	81	81	80	80	80	79	
			500		.14	.07	.03	.01	-	65	90	123	176	230		3.4	4.2	5.9	7.1	9.3	12	17	22	
		750	1.4	.21	.10	.04	.01	-							84	83	83	82	82	82	82	81		
		1,000		.27	.13	.06	.02	-	67	93	124	177	231		3.4	4.3	6.0	7.2	9.4	12	17	22		
		2,000	1.6	.55	.27	.11	.04	.01							83	82	82	81	81	80	80	79		
		3,500		.96	.47	.20	.07	.01	73	97	127	179	233		3.6	5.1	6.2	7.9	9.8	12	17	22		
		5,000	1.8	1.37	.67	.28	.10	.02							83	83	83	82	82	81	80	80		
		7,500		2.05	1.01	.42	.14	.03	75	100	128	181	235		4.6	5.8	7.1	9.1	11	13	19	23		
		10,000	2.2	2.74	1.35	.56	.19	.04							83	83	82	82	82	82	81	81		
		15,000		4.11	2.02	.85	.29	.06	78	102	130	182	236		5.6	7.1	8.2	10	12	14	20	25		
		20,000	2.6	5.48	2.69	1.13	.38	.07							84	83	83	83	83	82	82	82		
		25,000		6.85	3.36	1.41	.48	.09	80	104	131	183	237		6.8	8.1	9.5	11	13	16	21	26		
50,000	4.1	13.7	6.73	2.82	.95	.18							84	83	83	83	83	82	82	82				
75,000		20.6	10.0	4.23	1.43	.28	85	108	133	185	239		10	12	14	15	17	19	25	30				
100,000	5.6	27.4	13.5	5.64	1.90	.37							84	83	83	83	83	82	82	82				
150,000		41.0	20.2	8.47	2.86	.55	87	110	134	186	240		13	15	17	18	22	24	30	35				
200,000	7.5	54.8	27.0	11.3	3.81	.74							84	83	83	83	83	82	82	82				
250,000		68.5	33.7	14.1	4.76	.92	89	112	135	187	241		15	17	19	20	26	27	33	39				

(NOTE) For speeds not shown on the pump hydraulic charts, consult factory.