



Priming Assisted Centrifugal Pump w/Autostart

Model PAH6B65-6068H FT4 Size 10" x 6"



Total Head		Capacity of Pump in U.S. Gallons per Minute (GPM) at Continuous Performance			
P.S.I.	Feet				
107.5	248	350	350	350	350
97.5	225	1200	1200	1200	1200
86.7	200	1600	2000	2000	2000
75.9	175	1630	2640	2750	2750
65.0	150	1620	2700	3275	3320
54.2	125	1620	2700	3450	3790
43.4	100	1610	2700	3520	4050
Suction Lift		25'	20'	15'	10'

PHOTO NOT AVAILABLE AT TIME OF PUBLISHING

PUMP SPECIFICATIONS

- Size:** 10" x 6" (254 mm x 152 mm) Flanged.
- Casing:** Stainless Steel CD4MCu.
Maximum Operating Pressure 164 psi (1131 kPa).*
- Enclosed Type, Two Vane Impeller:** Stainless Steel CD4MCu.
Handles 3" (76,2 mm) Diameter Spherical Solids.
- Suction Head:** Stainless Steel CD4MCu.
- Suction Spool:** Stainless Steel CD4MCu.
- Impeller Shaft:** Stainless Steel 17-4 PH.
- Replaceable Wear Ring:** Stainless Steel CD4MCu.
- Bearing Pedestal:** Gray Iron 30.
- Seal Plate:** Stainless Steel CD4MCu.
- Seal:** Mechanical, SAE 30 Non-Detergent Oil Lubricated. Silicon Carbide Rotating Face and Stationary Seat. Fluorocarbon Elastomers (DuPont Viton® or Equivalent). Stainless Steel 316 Cage and Stainless Steel 316 Spring. Maximum Temperature of Liquid Pumped 160°F (71°C).*
- Shaft Sleeve:** Stainless Steel 17-4 PH.
- Priming Chamber:** Stainless Steel 316 Housing w/Stainless Steel Float and Linkage.
- Discharge Check Valve:** Stainless Steel Housing w/Viton Flapper.
- Radial Bearing:** Open Roller.
- Thrust Bearing:** Open Double Ball.
Bearing Cavity Lubrication: Lithium EP2 Grease.
- Gaskets:** Fluorocarbon (DuPont Viton® or Equivalent), Compressed Synthetic Fibers and Buna-N.
- O-Rings:** Fluorocarbon (DuPont Viton® or Equivalent).
- Hardware:** Stainless Steel 316 and 17-4 PH.
- Seal Cavity Oil Level Sight Gauges.**
- *Consult Factory for Applications Exceeding Maximum Pressure and/or Temperature Indicated.*
- Standard Equipment:** Gear-Driven Air Compressor. Hoisting Bail. [Full Feature Control Panel](#) Combination Skid Base w/Fuel Tank. [Single Ball Type Float Switch](#).**
- Optional Equipment:** Battery. Strainer. Skid Drag Base Kit. Threaded Flange Kit. Suction Vacuum and Discharge Pressure Gauge Kit. High Speed (55 MPH/89 KM/H) Tandem Axle Pneumatic-Tired Wheel Kit w/wo DOT-Approved Lights and Electric Brakes. [Tandem Axle Over-the-Road Trailer](#). Liquid Level Transducer.**
- **50 Ft. (15 m) Standard Length; Dual Switches and Alternate Cable Lengths Available From the Factory.*

WARNING!

Do not use in explosive atmosphere or for pumping volatile flammable liquids.

ENGINE SPECIFICATIONS

- Model:** John Deere 6068HFC08.
- EPA Tier:** Final Tier 4.
- Type:** Six Cylinder, Charge-Air Cooled Diesel Engine. Enclosed. With Air Compressor
- Displacement:** 415 Cu. In. (6,8 liters).
- Lubrication:** Forced Circulation.
- Air Cleaner:** Dry Type.
- Fuel Tank:** 131 U.S. Gals. (496 liters).
Full Load Operating Time: 13.1 Hrs.
- Starter:** 12V Electric.
- Standard Features:** Muffler w/Guard and Weather Cap, DOC/DPF and SCR Exhaust After-Treatment System.
- Optional:** Electronic Fuel Level Sensor.
- Engine Control Features:** Padlockable Box with Throttle Control, Tachometer, Coolant Temperature, Oil Pressure, Voltage and Overstart Indicators/Shut-downs. Manual/Stop/Auto Keyswitch. Audible Startup Warning Delay. Fuel Level Display/Alarm/Shutdown (For Use With Optional Fuel Level Sensor).

JOHN DEERE PUBLISHED PERFORMANCE:
Maximum Gross BHP (Intermittent)
250 (187 kW) @ 2400 RPM



GORMAN-RUPP PUMPS

www.grpumps.com

Specifications Subject to Change Without Notice

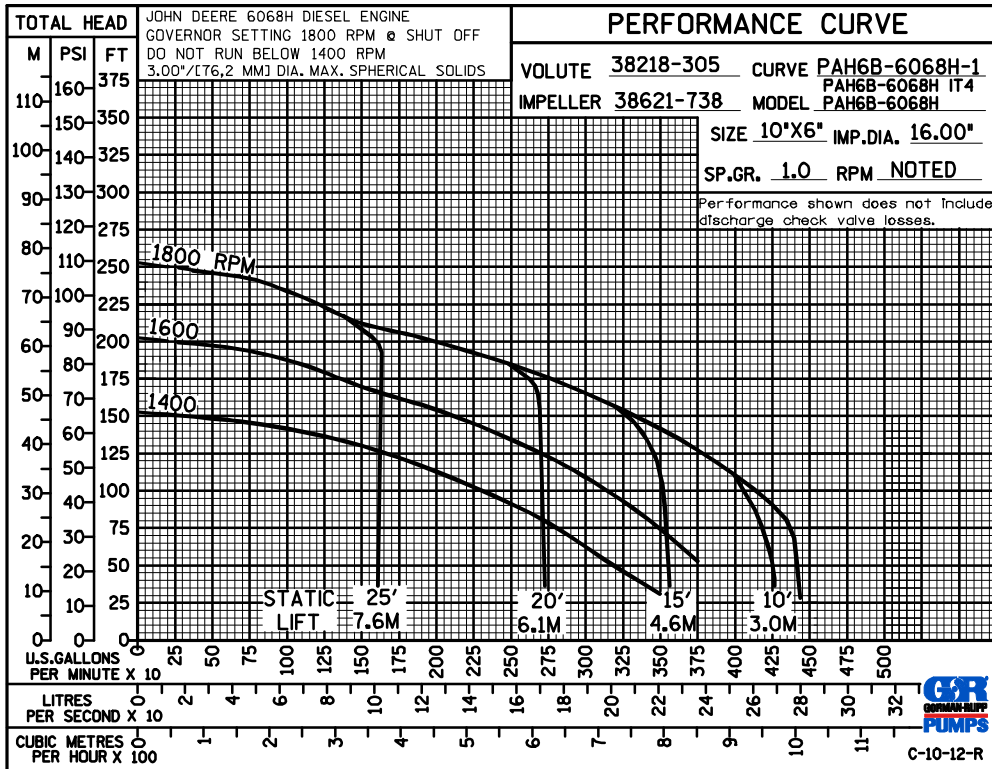
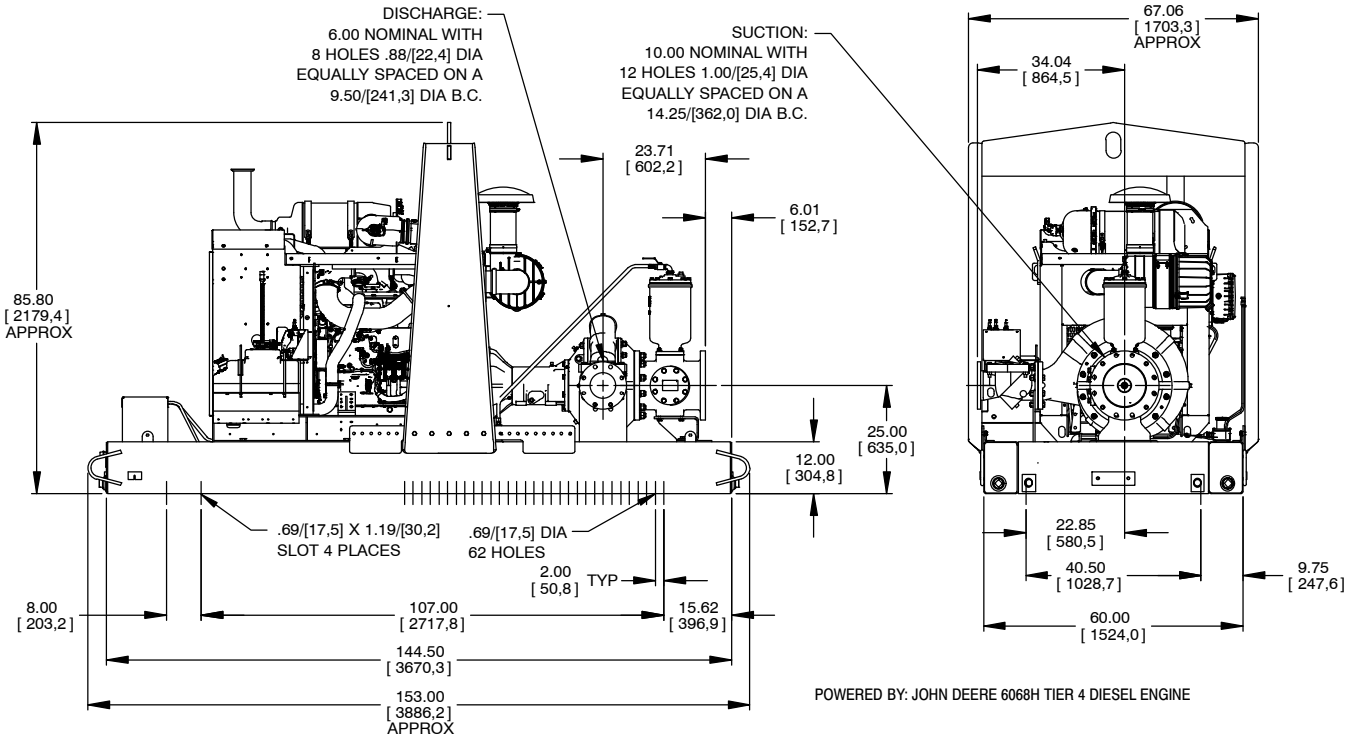
Printed in U.S.A.

Specification Data

APPROXIMATE DIMENSIONS and WEIGHTS

NET WEIGHT: 6850 LBS. (3107 KG.)
SHIPPING WEIGHT: 7330 LBS. (3324 KG.)
EXPORT CRATE SIZE: 0 CU. FT. (0,0 CU. M.)

SECTION 43, PAGE 302



GORMAN-RUPP PUMPS

www.grpumps.com

Specifications Subject to Change Without Notice

Printed in U.S.A.