



Super T SERIES®

BASIC SELF-PRIMING CENTRIFUGAL PUMP


Model: T4A3S-B
Various Patents Apply

PUMP SPECIFICATIONS

Size	4" x 4" (101 mm x 101 mm) NPT - Female
Impeller Type	Semi-Open, Two Vane
Solids-Handling Capability	3" (76,2 mm) Spherical Diameter
Seal Type	Cartridge Type, Mechanical, Oil-Lubricated, Double Floating, Self-Aligning
Radial Bearing	Open Single Row Ball
Thrust Bearing	Open Double Row Ball
Bearing and Seal Cavity Lubrication	SAE 30 Non-Detergent Oil
Maximum Operating Pressure	86 psi (593 kPa)*
Max Temp of Liquid Pumped	160°F (71°C).*

PUMP MATERIALS

Casing	Gray Iron 30
Impeller	Ductile Iron 65-45-12
Impeller Shaft	Alloy Steel 4150
Shaft Sleeve	Alloy Steel 4130
Seal: Stationary Face	Tungsten Titanium Carbide
Rotating Face	Tungsten Titanium Carbide
Elastomer	Fluorocarbon FKM, (Viton® or Equivalent)
Replaceable Wear Plate:	Carbon Steel ASTM A36
Removable Adjustable Cover Plate	Gray Iron 30
Removable Inspection Cover Plate	Gray Iron 30 – 12 lbs. (5,4 kg.)
Flap Valve	Neoprene with Nylon and Steel Reinforcing
Seal Plate	Gray Iron 30
Bearing Housing	Gray Iron 30
Flanges	Gray Iron 30
Gaskets	Buna-N, with Compressed Synthetic Fiber, Vegetable Fiber, PTFE, Cork and Rubber
O-Rings	Buna-N
Hardware	Standard Plated Steel

*Consult Factory for Applications Exceeding Maximum Pressure and/or Temperature Indicated.

Standard Equipment: Brass Pressure Relief Valve, Bearing and Seal Cavity Oil Level Sight Gauges.

Optional Equipment: Automatic Air Release Valve, Metal Bellows Seal, 120V/240V Casing Heater, High Pump Temperature Shutdown Kit, Drain Kit, Gauge Kit. Suction and Discharge Spool Flanges:

4" ASA (Specify Model T4A3S-B /F)

100 mm DIN 2527 – PN 16 (Specify Model T4A3S-B /FM).



Shown with Optional Suction and Discharge Spool Flanges (Available in ASA or DIN Standard Sizes).

Super T Series Features and Benefits

Easy To Service And Maintain - Pump is mounted above liquid being pumped with only the suction line down in liquid.

Dual Bearing Protection – An atmospheric barrier along with two lip seals provide additional protection of the pump bearings (not available on 2" models).

Inspection Cover – Patented, lightweight inspection cover for easy access to the impeller without removing the entire backcover plate or piping (2" – 8" models).

5 Year Super T Series Warranty

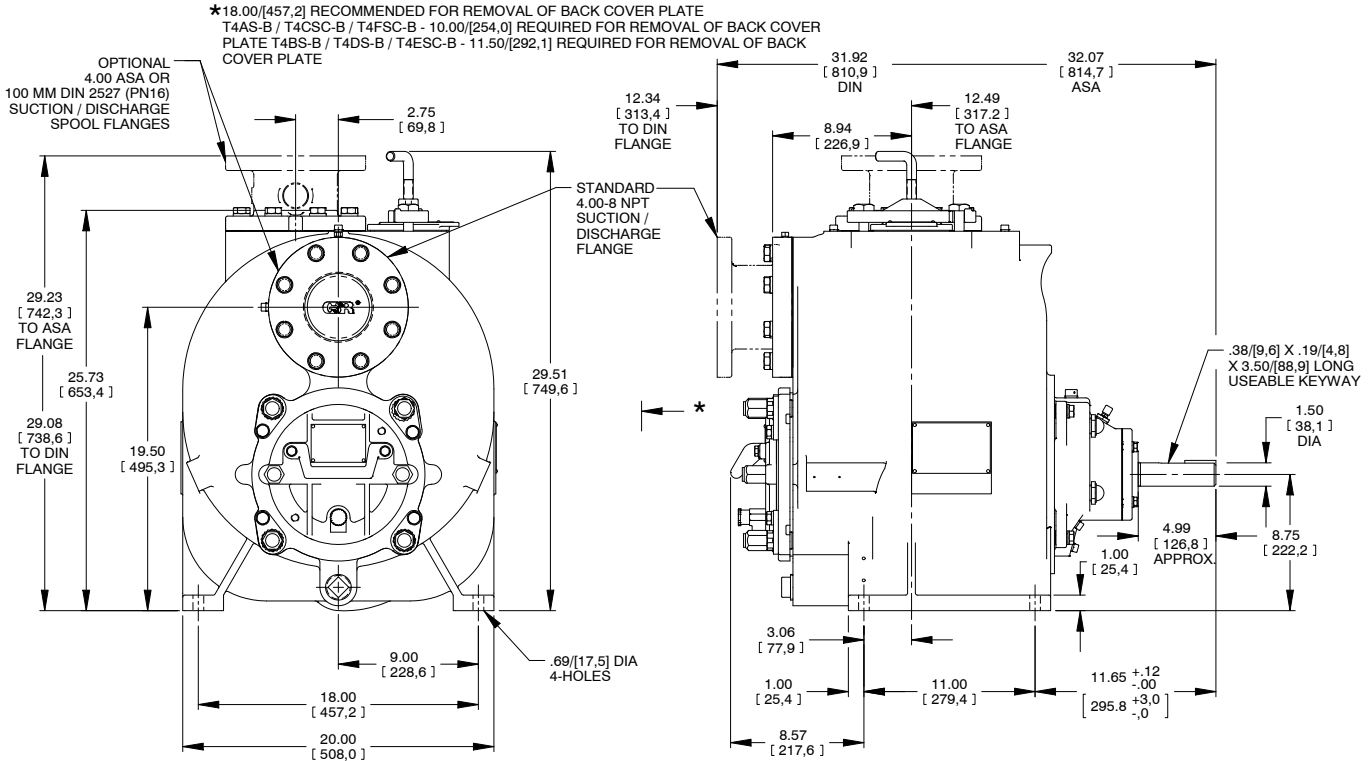
Up To 3" Diameter Spherical Solids Handling (4" – 10" models).

Removable Rotating Assembly – The entire rotating assembly can be removed without disturbing the pump volute or piping allowing the rotating assembly to be easily repaired or quickly replaced with a new ready to drop in assembly.

APPROXIMATE DIMENSIONS AND WEIGHTS

NET WEIGHT	603 LBS. (273 KG.)*
SHIPPING WEIGHT	634 LBS. (287 KG.)*
EXPORT CRATE	22.7 CU. FT. (0,64 CU. M.)

*Add 15 LBS. (6,8 KG.) w/each spool flange



NOTE: OPTIONAL ASA OR DIN STANDARD SUCTION & DISCHARGE SPOOL FLANGES AVAILABLE

