

SPECIFICATION DATA



STAINLESS STEEL BASIC SELF-PRIMING CENTRIFUGAL PUMP



Model: T4B65S-B

Various Patents Apply

PUMP SPECIFICATIONS

Size	4" x 4" (101 mm x 101 mm) NPT - Female
Impeller Type	Semi-Open, Five Vane
Solids-Handling Capability	13/16" (20,6 mm) Spherical Diameter
Seal Type	Mechanical, Oil-Lubricated, Double Float-ing, Self-Aligning
Radial Bearing	Open Single Row Ball
Thrust Bearing	Open Double Row Ball
Bearing and Seal Cavity Lubrication	SAE 30 Non-Detergent Oil
Maximum Operating Pressure	97 psi (669 kPa)*
Max Temp of Liquid Pumped	160°F (71°C).*

PUMP MATERIALS

Casing	Stainless Steel CD4MCuN
Impeller	Stainless Steel CD4MCuN
Impeller Shaft	Stainless Steel 17-4 PH
Seal: Stationary Face	Silicon Carbide
Rotating Face	Silicon Carbide
Elastomer	Fluorocarbon FKM, (Viton® or Equivalent)
Replaceable Wear Plate:	Stainless Steel CD4MCuN
Removable Adjustable Cover Plate	Stainless Steel CD4MCuN
Removable Inspection Cover Plate	Stainless Steel CD4MCuN – 17 lbs. (7,7 kg.)
Flap Valve	Fluorocarbon FKM, (Viton® or Equivalent) with Stainless Steel Reinforcing
Seal Plate	Stainless Steel CD4MCuN
Bearing Housing	Stainless Steel CD4MCuN
Suction Flange	Stainless Steel CD4MCuN
Discharge Flange	Stainless Steel 316
Gaskets	Fluorocarbon FKM, (Viton® or Equivalent) and PTFE
O-Rings	Fluorocarbon FKM, (Viton® or Equivalent)
Hardware	Stainless Steel 316

**Consult Factory for Applications Exceeding Maximum Pressure and/or Temperature Indicated.*

Standard Equipment: Stainless Steel 316 Pressure Relief Valve, Bearing and Seal Cavity Oil Level Sight Gauges.

Optional Equipment: Automatic Air Release Valve, Metal Bellows Seal, 120V/240V Casing Heater, High Pump Temperature Shutdown Kit, Drain Kit, Gauge Kit.
Stainless Steel CD4MCuN Suction and Discharge Spool Flanges:
4" ASA (Specify Model T4B65S-B /F)
100 mm DIN 2527 – PN 16 (Specify Model T4B65S-B /FM).



Shown with Optional Suction and Discharge Spool Flanges (Available in ASA or DIN Standard Sizes).

Super T Series Features and Benefits

Easy To Service And Maintain - Pump is mounted above liquid being pumped with only the suction line down in liquid.

Dual Bearing Protection – An atmospheric barrier along with two lip seals provide additional protection of the pump bearings (not available on 2" models).

Inspection Cover – Patented, lightweight inspection cover for easy access to the impeller without removing the entire backcover plate or piping (2" – 8" models).

5 Year Super T Series Warranty

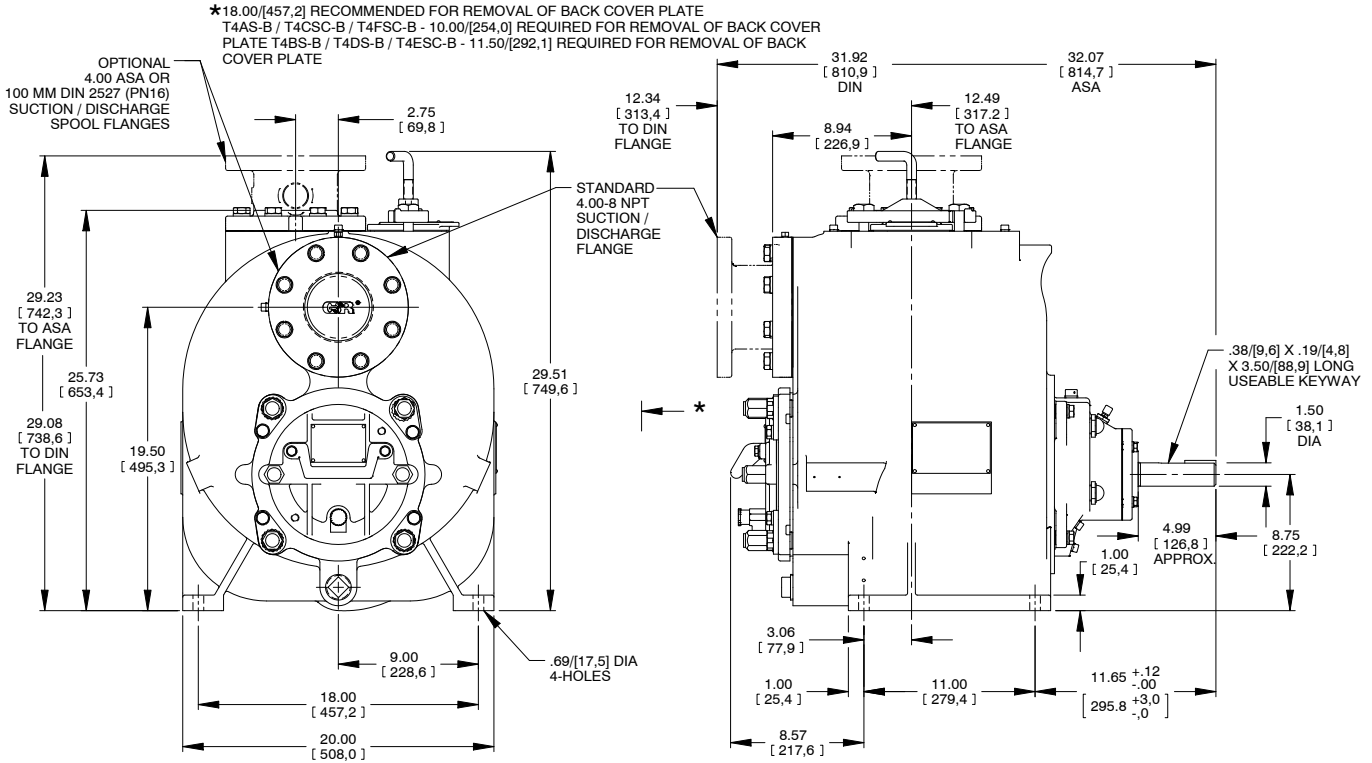
Up To 3" Diameter Spherical Solids Handling (4" – 10" models).

Removable Rotating Assembly – The entire rotating assembly can be removed without disturbing the pump volute or piping allowing the rotating assembly to be easily repaired or quickly replaced with a new ready to drop in assembly.

APPROXIMATE DIMENSIONS AND WEIGHTS

NET WEIGHT	635 LBS. (288 KG.)*
SHIPPING WEIGHT	685 LBS. (311 KG.)*
EXPORT CRATE	22.7 CU. FT. (0,64 CU. M.)

*Add 20 LBS. (9 KG.) w/each spool flange



NOTE: OPTIONAL ASA OR DIN STANDARD SUCTION & DISCHARGE SPOOL FLANGES AVAILABLE

