



## SELF-PRIMING CENTRIFUGAL PUMP

**Model: T4E60SC-B**

Various Patents Apply

### Pump Specifications

|                                            |                                                                            |
|--------------------------------------------|----------------------------------------------------------------------------|
| <b>Size</b>                                | 4" x 4" (101 mm x 101 mm) NPT - Female                                     |
| <b>Impeller Type</b>                       | Semi-Open, Two Vane                                                        |
| <b>Solids-Handling Capability</b>          | 1 1/2" (38,1 mm) Spherical Diameter                                        |
| <b>Seal Type</b>                           | Cartridge Type, Mechanical, Oil-Lubricated, Double Floating, Self-Aligning |
| <b>Radial Bearing</b>                      | Open Single Row Ball                                                       |
| <b>Thrust Bearing</b>                      | Open Double Row Ball                                                       |
| <b>Bearing and Seal Cavity Lubrication</b> | SAE 30 Non-Detergent Oil                                                   |
| <b>Maximum Operating Pressure</b>          | 119 psi (821 kPa)*                                                         |
| <b>Max Temp of Liquid Pumped</b>           | 160°F (71°C).*                                                             |

### Pump Materials

|                                             |                                                                            |
|---------------------------------------------|----------------------------------------------------------------------------|
| <b>Casing</b>                               | Gray Iron 30                                                               |
| <b>Impeller</b>                             | Ductile Iron 65-45-12                                                      |
| <b>Impeller Shaft</b>                       | Alloy Steel 4150                                                           |
| <b>Shaft Sleeve</b>                         | Alloy Steel 4130                                                           |
| <b>Seal: Stationary Face</b>                | Silicon Carbide                                                            |
| <b>Rotating Face</b>                        | Silicon Carbide                                                            |
| <b>Elastomer</b>                            | Fluorocarbon FKM, (Viton® or Equivalent)                                   |
| <b>Replaceable Self Cleaning Wear Plate</b> | Carbon Steel ASTM A6                                                       |
| <b>Removable Adjustable Cover Plate</b>     | Gray Iron 30                                                               |
| <b>Removable Inspection Cover Plate</b>     | Gray Iron 30 – 12 lbs. (5,4 kg.)                                           |
| <b>Flap Valve</b>                           | Neoprene with Nylon and Steel Reinforcing                                  |
| <b>Seal Plate</b>                           | Gray Iron 30                                                               |
| <b>Bearing Housing</b>                      | Gray Iron 30                                                               |
| <b>Flanges</b>                              | Gray Iron 30                                                               |
| <b>Gaskets</b>                              | Buna-N, Compressed Synthetic Fiber, Vegetable Fiber, PTFE, Cork and Rubber |
| <b>O-Rings</b>                              | Buna-N, and Fluorocarbon (Viton® or Equivalent)                            |
| <b>Hardware</b>                             | Standard Plated Steel                                                      |

\*Consult Factory for Applications Exceeding Maximum Pressure and/or Temperature Indicated.

**Standard Equipment:** Brass Pressure Relief Valve, Bearing and Seal Cavity Oil Level Sight Gauges. Eradicator Solids Reduction System with Self-Cleaning Wearplate.

**Optional Equipment:** Automatic Air Release Valve, Metal Bellows Seal, 120V/240V Casing Heater, High Pump Temperature Shutdown Kit, Tungsten Titanium Carbide Seal, G-R Hard Iron Casing, Drain Kit, Gauge Kit.

Suction and Discharge Spool Flanges:

4" ASA (Specify Model T4E60SC-B /F)

100 mm DIN 2527 – PN 16 (Specify Model T4E60SC-B /FM).



Shown with Optional Suction and Discharge Spool Flanges (Available in ASA or DIN Standard Sizes).

### Super T Series With Eradicator Features and Benefits

**Easy To Service And Maintain** - Pump is mounted above liquid being pumped with only the suction line down in liquid.

**Dual Bearing Protection** – An atmospheric barrier along with two lip seals provide additional protection of the pump bearings (not available on 2" models).

**Inspection Cover** – Patented, lightweight inspection cover for easy access to the impeller without removing the entire backcover plate or piping. (2" – 8" models).

**Self-Cleaning Wearplate** - Incorporating a number of notches and grooves, as well as a revolutionary tooth (tooth used on T3 – T10 models), that helps break up stringy materials and pass them through the pump without impacting performance or interrupting service. This greatly reduces troublesome clogging and expensive downtime.

### 5 Year Super T Series Warranty

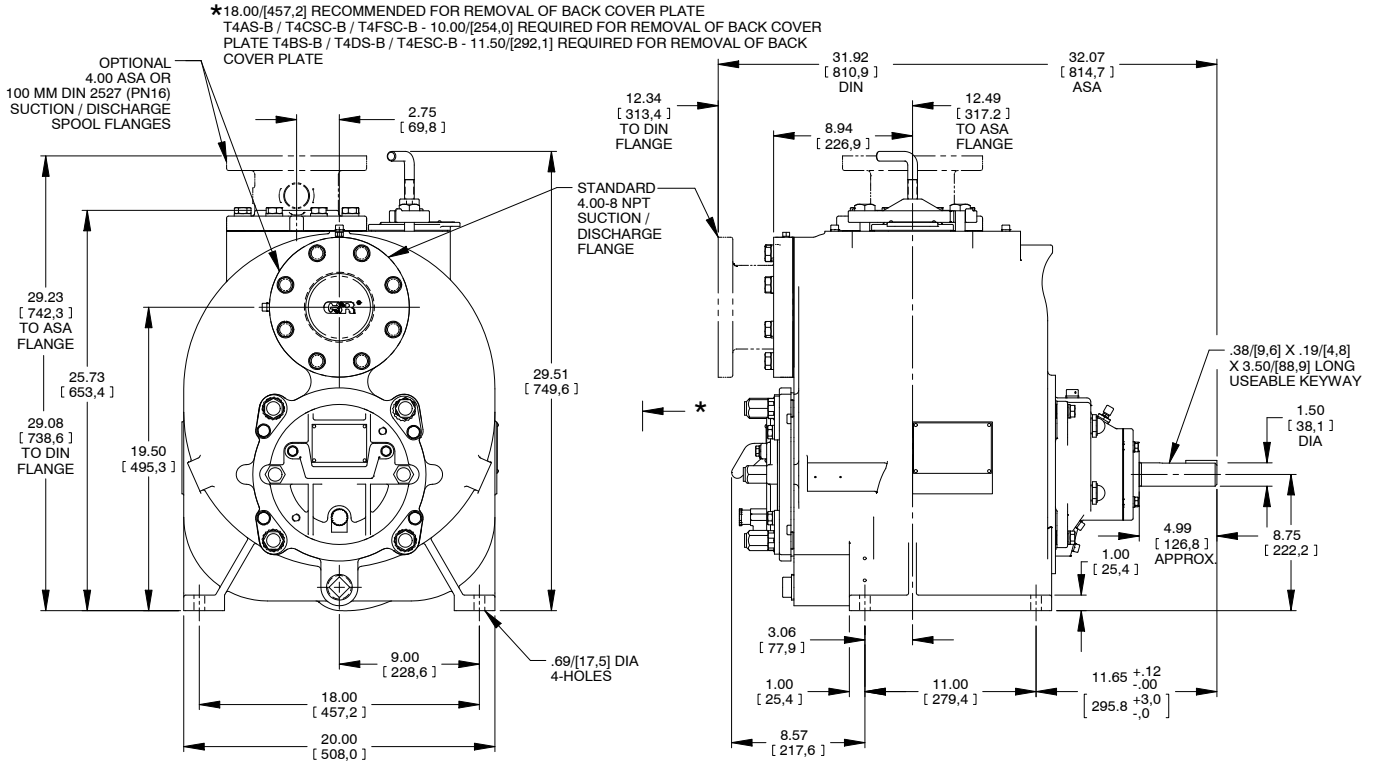
**Up To 3" Diameter Spherical Solids Handling** (4" – 10" models).

**Removable Rotating Assembly** – The entire rotating assembly can be removed without disturbing the pump volute or piping allowing the rotating assembly to be easily repaired or quickly replaced with a new ready to drop in assembly.

### APPROXIMATE DIMENSIONS AND WEIGHTS

|                        |                            |
|------------------------|----------------------------|
| <b>NET WEIGHT</b>      | 600 LBS. (272 KG.)*        |
| <b>SHIPPING WEIGHT</b> | 665 LBS. (302 KG.)*        |
| <b>EXPORT CRATE</b>    | 22.7 CU. FT. (0,64 CU. M.) |

\*Add 15 LBS. (6,8 KG.) w/each spool flange



NOTE: OPTIONAL ASA OR DIN STANDARD SUCTION & DISCHARGE SPOOL FLANGES AVAILABLE

