

SPECIFICATION DATA



**G-R HARD IRON FITTED BASIC PUMP
EQUIPPED WITH**



SELF-PRIMING CENTRIFUGAL PUMP



Model: T4F71SC-B

Various Patents Apply

Pump Specifications

Size	4" x 4" (101 mm x 101 mm) NPT - Female
Impeller Type	Semi-Open, Continuous Vane
Solids-Handling Capability	2.25" (57,1 mm) Spherical Diameter
Seal Type	Mechanical, Oil-Lubricated, Double Floating, Self-Aligning
Radial Bearing	Open Single Row Ball
Thrust Bearing	Open Double Row Ball
Bearing and Seal Cavity Lubrication	SAE 30 Non-Detergent Oil
Maximum Operating Pressure	88 psi (606 kPa)*
Max Temp of Liquid Pumped	160°F (71°C).*

Pump Materials

Casing	Gray Iron 30
Impeller	GR Hard Iron
Impeller Shaft	Stainless Steel 17-4 PH
Seal: Stationary Face	Silicon Carbide
Rotating Face	Silicon Carbide
Elastomer	Fluorocarbon FKM, (Viton® or Equivalent)
Replaceable Self Cleaning Wear Plate	Hardened Alloy Steel
Removable Adjustable Cover Plate	Gray Iron 30
Removable Inspection Cover Plate	Gray Iron 30 – 12 lbs. (5,4 kg.)
Flap Valve	Neoprene with Nylon and Steel Reinforcing
Seal Plate	GR Hard Iron
Bearing Housing	Gray Iron 30
Flanges	Gray Iron 30
Gaskets	Buna-N, Compressed Synthetic Fiber, Vegetable Fiber, PTFE, Cork and Rubber
O-Rings	Buna-N, Fluorocarbon (Viton® or Equivalent)
Hardware	Standard Plated Steel

**Consult Factory for Applications Exceeding Maximum Pressure and/or Temperature Indicated.*

Standard Equipment: Brass Pressure Relief Valve, Bearing and Seal Cavity Oil Level Sight Gauges. Eradicator Plus Solids Reduction System with Self-Cleaning Wearplate and Heavy-Duty Continuous Vane Impeller.

Optional Equipment: Automatic Air Release Valve, Metal Bellows Seal, Tungsten Titanium Carbide Seal, 120V/240V Casing Heater, High Pump Temperature Shutdown Kit, GR Hard Iron Casing, Drain Kit, Gauge Kit.
Suction and Discharge Spool Flanges:

- 4" ASA (Specify Model T4F71SC-B /F)
- 100 mm DIN 2527 – PN 16 (Specify Model T4F71SC-B /FM).



Shown with Optional Suction and Discharge Spool Flanges (Available in ASA or DIN Standard Sizes).

Super T Series With Eradicator Plus Features and Benefits

Easy To Service And Maintain - Pump is mounted above liquid being pumped with only the suction line down in liquid.

Dual Bearing Protection – An atmospheric barrier along with two lip seals provide additional protection of the pump bearings (not available on 2" models).

Inspection Cover – Patented, lightweight inspection cover for easy access to the impeller without removing the entire backcover plate or piping.

Self-Cleaning Wearplate - Constructed of G-R hard iron and incorporating notches, grooves and a lacerating tooth that is designed to cut and shred organic solids before they enter the interior of the pump, greatly reducing troublesome clogging and expensive downtime.

Continuous Vane Impeller - Constructed of G-R hard iron for the most aggressive waste-handling applications. The pump out vanes incorporated into the thick back shroud help prevent the buildup of debris behind the impeller.

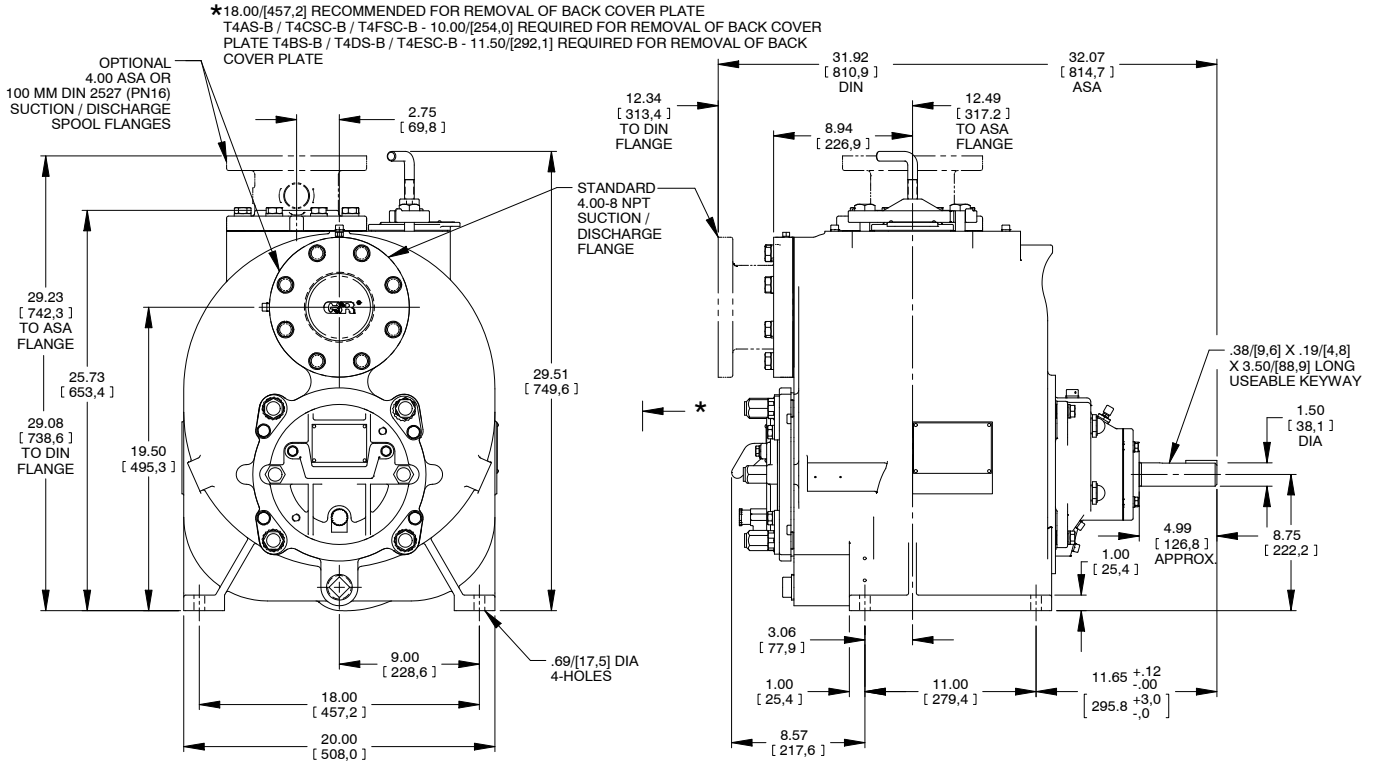
Removable Rotating Assembly – The entire rotating assembly can be removed without disturbing the pump volute or piping allowing the rotating assembly to be easily repaired or quickly replaced with a new ready to drop in assembly.

G-R Hard Iron - This durable material provides superior performance by extending the pump life up to six times over standard cast iron or ductile iron components. G-R Hard Iron has a measured hardness in excess of 400 Bhn (Brinell), providing the best abrasion resistance for nearly all pumping applications.

APPROXIMATE DIMENSIONS AND WEIGHTS

NET WEIGHT	625 LBS. (283 KG.)*
SHIPPING WEIGHT	675 LBS. (306 KG.)*
EXPORT CRATE	22.7 CU. FT. (0,64 CU. M.)

*Add 15 LBS. (6,8 KG.) w/each spool flange



NOTE: OPTIONAL ASA OR DIN STANDARD SUCTION & DISCHARGE SPOOL FLANGES AVAILABLE

